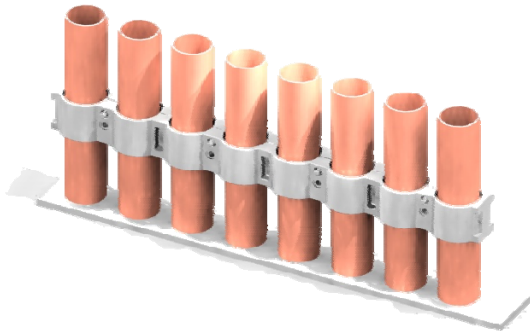


Boiler Product Line

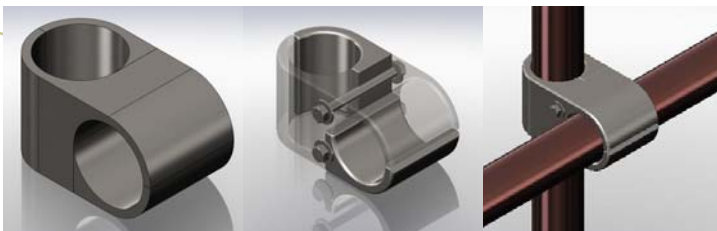
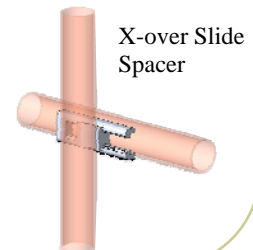
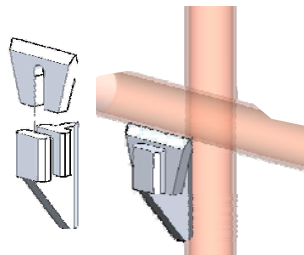
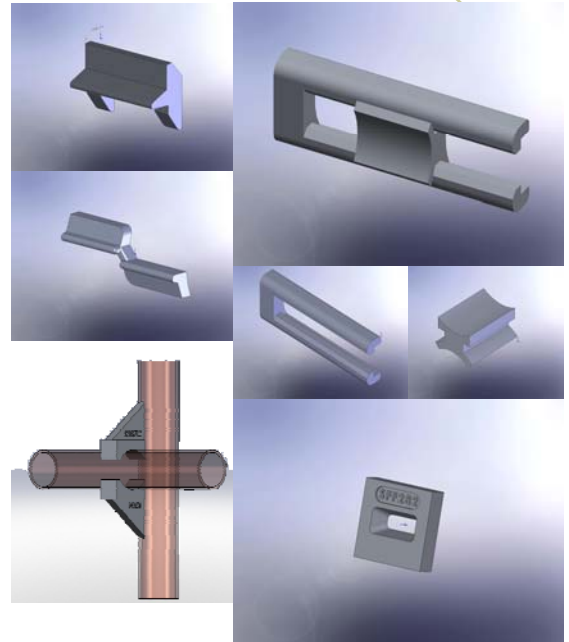


Tube Clips | Split Ring | Spacers

Spanish Fork Foundry carries hundreds of products designed for coal and gas fired power plant operations. Choose from a large selection of standard products or let us design custom parts for your specific needs. Products can be ordered in any steel or iron alloy. Split ring castings (hand cuff bars) can be ordered with weld tabs, bolt holes, or a combination of the two.

Product Description

- SFF003 7 TUBE SPLIT RING 1.75ID 4"CTRS
- SFF009 24 TUBE SPLT RING 1.75ID 2.5 CTRS 3"WIDE
- SFF010 9 TUBE SPLIT RING 1.75ID 2.5 CTRS.. 3" WIDE
- SFF011 4 TUBE SPLIT RING 1.75ID 2.5 CTRS.. 3" WIDE
- SFF041 8 TUBE CLIP 1.75" ID, 2"WIDE 4.5 CTRS
(SIMILAR TO P1-04-1019)
- SFF099 20 TUBE CLIP 1.75" ID, 2.5 CTRS, 3" WIDE
- SFF113 7 TUBE BOILER CLIP 310 SS 1.75 ID 4" CTRS, 2"WIDE
- SFF222 5 TUBE 1.75 ID, 2.5 CTRS, 2" WIDE
- SFF223 6 TUBE CLIP 1.75" ID, 4.75 CTRS, 2" WIDE
- SFF225 20 TUBE CLIP 1.75 ID, 3" CTRS, 3" WIDE
- SFF282 BOW TIES 309 S/S 2"X2"
- SFF304 8 TUBE CLIP 2.75 ID, 4.75 CTRS, 2.5 WIDE
- SFF313M HAL BOW-TIE 309 SS Male
- SFF313F HAL BOW-TIE 309 SS Female
- SFF319 14 TUBE SPLIT RING 310SS..2-1/4" CENTERS, 3" WIDE, 2" ID
- SFF320 19 TUBE SPLIT RING 310SS..2-1/2 CNTRS, 3"WIDE, 2"ID
- 428-3 3 MULTI SPLIT RING 1.75 ID 2.5 CTRS, 2" WIDE
- 2033476 7 TUBE CLIP 1.75" ID 4.5 CTRS
- 2034122 6 TUBE CLIP 1.75" ID 4.5 CTRS
- HClipM H Clip Male 4" Slip Spacer
- HClipF H Clip Female 1"
- Xover A Cross Over Part A
- Xover B Cross Over Part B
- SpacerS Small Spacer
- SpacerM Medium Spacer
- SpacerL Large Spacer



Spanish Fork Foundry

801-798-7423

PO Box 6
Spanish Fork, UT 84660

E-mail:

sales@spanishforkfoundry.com

Quality Castings Since 1884